

DS-PSP1-WB
Wireless Smart Plug
Quick Start Guide

English

1 APPEARANCE

1. Power Button 2. LED Indicator 3. Jack

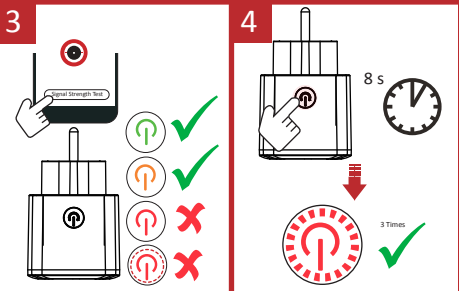
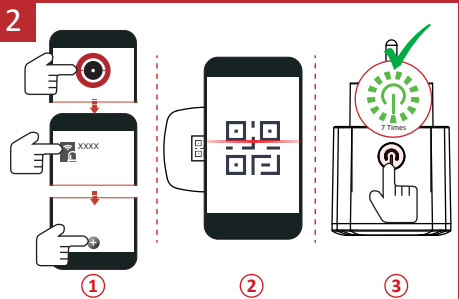
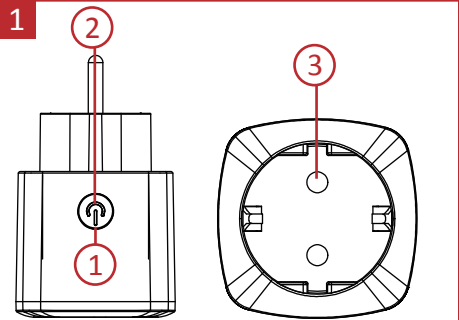
2 ENROLLMENT

3 SIGNAL STRENGTH CHECKING

4 FORMATTING

Specification

Power Button	1, for enrollment
Scenario Setting	By alarm, by operation, by fault, by schedule, by manual
RF method	Two way communication
RF Frequency	433 MHz
RF Distance	1000 m
Wireless Security	AES-128
Power supply	AC 110v – 240v, 50/60 HZ , Max 10A
LEDs Status	1 (Green/Red)
Operation temperature	-10°C to +55°C
Operation humidity	10% to 90%
Dimension(WxHxD)	52 mm x 52 mm x 88 mm
Weight	85 g
Installation method	Plug into Socket



©2020 Hangzhou Hikvision Digital Technology Co., Ltd. All rights reserved.

About this Manual

The Manual includes instructions for using and managing the Product. Pictures, charts, images and all other information hereinafter are for description and explanation only. The information contained in the Manual is subject to change, without notice, due to firmware updates or other reasons. Please find the latest version of this Manual at the Hikvision website (<https://www.hikvision.com/>).

Please use this Manual with the guidance and assistance of professionals trained in supporting the Product.

HIKVISION and other Hikvision's trademarks and logos are the properties of Hikvision in various jurisdictions. Other trademarks and logos mentioned are the properties of their respective owners.

TO THE MAXIMUM EXTENT PERMITTED BY APPLICABLE LAW, THIS MANUAL AND THE PRODUCT DESCRIBED, WITH ITS HARDWARE, SOFTWARE AND FIRMWARE, ARE PROVIDED "AS IS" AND "WITH ALL FAULTS" AND "WITH ALL WARRANTIES, INCLUDING ANY WARRANTIES EXPRESS OR IMPLIED, INCLUDING WITHOUT LIMITATION, MERCHANTABILITY, SATISFACTORY QUALITY OR FITNESS FOR A PARTICULAR PURPOSE. THE USE OF THE PRODUCT BY YOU IS AT YOUR OWN RISK. IN NO EVENT WILL HIKVISION BE LIABLE TO YOU FOR ANY SPECIAL, CONSEQUENTIAL, INCIDENTAL, OR INDIRECT DAMAGES, INCLUDING, AMONG OTHERS, DAMAGES FOR LOSS OF BUSINESS PROFITS, BUSINESS INTERRUPTION, OR LOSS OF DATA, CORRUPTION OF SYSTEMS, OR LOSS OF DOCUMENTATION, WHETHER BASED ON BREACH OF CONTRACT, TORT (INCLUDING NEGLIGENCE), PRODUCT LIABILITY OR OTHERWISE, IN CONNECTION WITH THE USE OF THE PRODUCT, EVEN IF HIKVISION HAS BEEN ADVISED OF THE POSSIBILITY OF SUCH DAMAGES OR LOSS.

YOU ACKNOWLEDGE THAT THE NATURE OF INTERNET PROVIDES FOR INHERENT SECURITY RISKS, AND HIKVISION SHALL NOT TAKE ANY RESPONSIBILITIES FOR ABNORMAL OPERATION, PRIVACY LEAKAGE OR OTHER DAMAGES RESULTING FROM CYBER-ATTACK, HACKER ATTACK, VIRUS INSPECTION, OR OTHER INTERNET SECURITY RISKS; HOWEVER, HIKVISION WILL PROVIDE TIMELY TECHNICAL SUPPORT IF REQUIRED.

YOU AGREE TO USE THIS PRODUCT IN COMPLIANCE WITH ALL APPLICABLE LAWS, AND YOU ARE SOLELY RESPONSIBLE FOR ENSURING THAT YOUR USE COMPLIES TO THE APPLICABLE LAW, ESPECIALLY, YOU ARE RESPONSIBLE, FOR USING THIS PRODUCT IN A MANNER THAT DOES NOT INFRINGE ON THE RIGHTS OF THIRD PARTIES, INCLUDING WITHOUT LIMITATION, RIGHTS OF PUBLICITY, INTELLECTUAL PROPERTY RIGHTS, OR DATA PROTECTION AND OTHER PRIVACY RIGHTS. YOU SHALL NOT USE THIS PRODUCT FOR ANY PROHIBITED END-USES, INCLUDING THE DEVELOPMENT OR PRODUCTION OF WEAPONS OF MASS DESTRUCTION, THE DEVELOPMENT OR PRODUCTION OF CHEMICAL, OR BIOLOGICAL WEAPONS, AND ANY ACTIVITIES IN THE CONTEXT RELATED TO ANY NUCLEAR EXPLOSIVE OR UNSAFE NUCLEAR FUEL CYCLE OR REACTOR, OR ANY OTHER ACTIVITIES IN THE CONTEXT RELATED TO ANY NUCLEAR EXPLOSIVE OR IN THE EVENT OF ANY CONFLICTS BETWEEN THIS MANUAL AND THE APPLICABLE LAW, THE LATER PREVAILS.

This product and - if applicable - the supplied accessories too are marked with "CE" and comply therefore with the applicable harmonized European standards listed under the RE Directive 2014/53/EU, the EMC Directive

2017/247/EU, the RoHS Directive 2011/65/EU

2012/19/EU (WEEE directive). Products marked with this symbol cannot be disposed of as unsorted municipal waste in the European Union. For proper recycling, return this product to your local supplier to your local supplier of equivalent new equipment, or dispose of it at designated collection points. For more information see:

www.recyclinginfo.info

2006/66/EC (battery directive). This product contains a battery that cannot be disposed of as unsorted municipal waste in the European Union. See the product documentation for specific battery information. The battery is marked with this symbol, which may include lettering to indicate cadmium (Cd), lead (Pb), or mercury (Hg). For proper recycling, return the battery to your supplier or to a designated collection point. For more information see www.recyclinginfo.info

www.recyclinginfo.info

www.recyclinginfo.info

www.recyclinginfo.info

www.recyclinginfo.info

www.recyclinginfo.info

www.recyclinginfo.info

www.recyclinginfo.info

www.recyclinginfo.info

www.recyclinginfo.info

www.recyclinginfo.info

www.recyclinginfo.info

www.recyclinginfo.info

www.recyclinginfo.info

www.recyclinginfo.info

www.recyclinginfo.info

www.recyclinginfo.info

www.recyclinginfo.info

www.recyclinginfo.info

www.recyclinginfo.info

www.recyclinginfo.info

www.recyclinginfo.info

www.recyclinginfo.info

www.recyclinginfo.info

www.recyclinginfo.info

www.recyclinginfo.info

www.recyclinginfo.info

www.recyclinginfo.info

www.recyclinginfo.info

www.recyclinginfo.info

www.recyclinginfo.info

www.recyclinginfo.info

www.recyclinginfo.info

www.recyclinginfo.info

www.recyclinginfo.info

www.recyclinginfo.info

www.recyclinginfo.info

www.recyclinginfo.info

www.recyclinginfo.info

www.recyclinginfo.info

www.recyclinginfo.info

www.recyclinginfo.info

www.recyclinginfo.info

www.recyclinginfo.info

www.recyclinginfo.info

www.recyclinginfo.info

www.recyclinginfo.info

www.recyclinginfo.info

www.recyclinginfo.info

www.recyclinginfo.info

www.recyclinginfo.info

www.recyclinginfo.info

www.recyclinginfo.info

www.recyclinginfo.info

www.recyclinginfo.info

www.recyclinginfo.info

www.recyclinginfo.info

www.recyclinginfo.info

www.recyclinginfo.info

www.recyclinginfo.info

www.recyclinginfo.info

www.recyclinginfo.info

www.recyclinginfo.info

www.recyclinginfo.info

www.recyclinginfo.info

www.recyclinginfo.info

www.recyclinginfo.info

www.recyclinginfo.info

www.recyclinginfo.info

www.recyclinginfo.info

www.recyclinginfo.info

www.recyclinginfo.info

www.recyclinginfo.info

www.recyclinginfo.info

www.recyclinginfo.info

www.recyclinginfo.info

www.recyclinginfo.info

www.recyclinginfo.info

www.recyclinginfo.info

www.recyclinginfo.info

www.recyclinginfo.info

www.recyclinginfo.info

www.recyclinginfo.info

www.recyclinginfo.info

www.recyclinginfo.info

www.recyclinginfo.info

www.recyclinginfo.info

www.recyclinginfo.info



Warning

This is a class A product. In a domestic environment this product may cause radio interference in which case the user may be required to take adequate measures.



FCC Information

Please take attention that changes or modification not expressly approved by the party responsible for compliance could void the user's authority to operate the equipment.

FCC compliance: This equipment has been tested and found to comply with the limits for a Class B digital device, pursuant to part 15 of the FCC Rules. These limits are designed to provide reasonable protection against harmful interference in a residential installation. This equipment generates, uses and can radiate radio frequency energy and, if not installed and used in accordance with the instructions, may cause harmful interference to radio communications. However, there is no guarantee that interference will not occur in a particular installation. If this equipment does cause harmful interference to radio or television reception, which can be determined by turning the equipment off and on, the user is encouraged to try to correct the interference by one or more of the following measures:

—Reorient or relocate the receiving antenna.

—Increase the separation between the equipment and receiver.

—Connect the equipment into an outlet on a circuit different from that to which the receiver is connected.

—Consult the dealer or an experienced radio/TV technician for help.

This equipment should be installed and operated with a minimum distance

20cm between the radiator and your body.

FCC Conditions

This device complies with part 15 of the FCC Rules. Operation is subject to the following two conditions:

1. This device may not cause harmful interference.

2. This device must accept any interference received, including interference that may cause undesired operation



©2020 Hangzhou Hikvision Digital Technology Co., Ltd. Todos os direitos reservados.

Novo livro Manual

O Manual inclui instruções para utilizar e gerir o produto. As fotografias, os gráficos, as imagens e todas as outras informações apresentadas representam descrições e informações. A informação contida no Manual está sujeita a alterações, sem aviso prévio, devido à atualização de software ou outros motivos. Consulte o website mais recente do Manual ou da Hikvision (<https://www.hikvision.com/>).

Por favor, use este Manual com a orientação e assistência de profissionais capacitados em apoiar o produto.

HIKVISION e outras marcas comerciais e logótipos da Hikvision são propriedade da Hikvision em diversas jurisdições. Outras marcas comerciais e logótipos mencionados são propriedade dos respetivos detentores.

TO THE MAXIMUM EXTENT PERMITTED BY APPLICABLE LAW, THIS MANUAL AND THE PRODUCT DESCRIBED, WITH ITS HARDWARE, SOFTWARE AND FIRMWARE, ARE PROVIDED "AS IS" AND "WITH ALL FAULTS" AND "WITH ALL WARRANTIES, INCLUDING ANY WARRANTIES EXPRESS OR IMPLIED, INCLUDING WITHOUT LIMITATION, MERCHANTABILITY, SATISFACTORY QUALITY OR FITNESS FOR A PARTICULAR PURPOSE. THE USE OF THE PRODUCT BY YOU IS AT YOUR OWN RISK. IN NO EVENT WILL HIKVISION BE LIABLE TO YOU FOR ANY SPECIAL, CONSEQUENTIAL, INCIDENTAL, OR INDIRECT DAMAGES, INCLUDING, AMONG OTHERS, DAMAGES FOR LOSS OF BUSINESS PROFITS, BUSINESS INTERRUPTION, OR LOSS OF DATA, CORRUPTION OF SYSTEMS, OR LOSS OF DOCUMENTATION, WHETHER BASED ON BREACH OF CONTRACT, TORT (INCLUDING NEGLIGENCE), PRODUCT LIABILITY OR OTHERWISE, IN CONNECTION WITH THE USE OF THE PRODUCT, EVEN IF HIKVISION HAS BEEN ADVISED OF THE POSSIBILITY OF SUCH DAMAGES OR LOSS.

YOU ACKNOWLEDGE THAT THE NATURE OF INTERNET PROVIDES FOR INHERENT SECURITY RISKS, AND HIKVISION SHALL NOT BE RESPONSIBLE FOR ABNORMAL OPERATION, PRIVACY LEAKAGE OR OTHER DAMAGES RESULTING FROM CYBER-ATTACK, HACKER ATTACK, VIRUS INSPECTION, OR OTHER INTERNET SECURITY RISKS; HOWEVER, HIKVISION WILL PROVIDE TIMELY TECHNICAL SUPPORT IF REQUIRED.

YOU AGREE TO USE THIS PRODUCT IN COMPLIANCE WITH ALL APPLICABLE LAWS, AND YOU ARE SOLELY RESPONSIBLE FOR GUARANTEEING THAT YOUR USE COMPLIES WITH ALL APPLICABLE LAWS, ESPECIALLY, YOU ARE RESPONSIBLE, FOR USING THIS PRODUCT IN A MANNER THAT DOES NOT INFRINGE ON THE RIGHTS OF THIRD PARTIES, INCLUDING WITHOUT LIMITATION, RIGHTS OF PUBLICITY, INTELLECTUAL PROPERTY RIGHTS, OR DATA PROTECTION AND OTHER PRIVACY RIGHTS. YOU SHALL NOT USE THIS PRODUCT FOR ANY PROHIBITED END-USES, INCLUDING THE DEVELOPMENT OR PRODUCTION OF WEAPONS OF MASS DESTRUCTION, THE DEVELOPMENT OR PRODUCTION OF CHEMICAL, OR BIOLOGICAL WEAPONS, AND ANY ACTIVITIES IN THE CONTEXT RELATED TO ANY NUCLEAR EXPLOSIVE OR UNSAFE NUCLEAR FUEL CYCLE OR REACTOR, OR ANY OTHER ACTIVITIES IN THE CONTEXT RELATED TO ANY NUCLEAR EXPLOSIVE OR IN THE EVENT OF ANY CONFLICTS BETWEEN THIS MANUAL AND THE APPLICABLE LAW, THE LATER PREVAILS.

This product and - if applicable - the supplied accessories too are marked with "CE" and comply in conformance with the applicable European standards and applicable listed under Directives RE 2014/53/EU, EMC 2014/30/EU and RoHS 2011/65/EU.

2012/19/EU (WEEE directive). Products marked with this symbol cannot be disposed of as unsorted municipal waste in the European Union. For more information, see:

www.recyclinginfo.info

2006/66/EC (battery directive). This product contains a battery that is not to be disposed of as unsorted municipal waste in the European Union. See the product documentation for specific battery information. The battery is marked with this symbol, which may include lettering to indicate cadmium (Cd), lead (Pb) or mercury (Hg). For more information, see:

www.recyclinginfo.info

www.recyclinginfo.info

www.recyclinginfo.info

www.recyclinginfo.info

www.recyclinginfo.info

www.recyclinginfo.info

www.recyclinginfo.info

www.recyclinginfo.info

www.recyclinginfo.info

www.recyclinginfo.info

www.recyclinginfo.info

www.recyclinginfo.info

www.recyclinginfo.info