

## DS-D5050UC-C 50-inch LCD Monitor



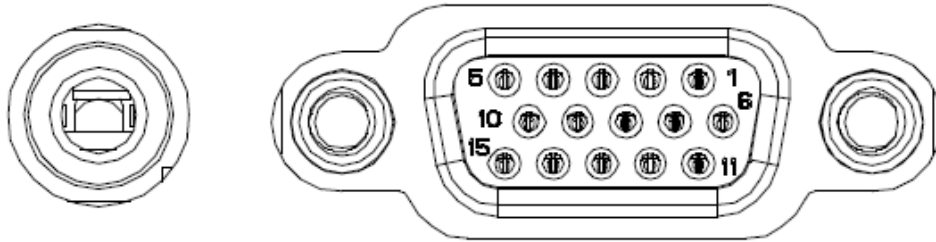
- Designed for surveillance, high reliability and stability
- 50" LED backlight with wide display equipment
- 4K resolution is 4 times the resolution of 1080p, providing a wider view and more fine detail
- Multiple inputs: HDMI, VGA, USB
- Narrow front bezel
- Wide view angle: Horizontal 178°, Vertical 178°
- 24/7 operation

## ▪ Specification

|                            | Model   | DS-D5050UC-C   |
|----------------------------|---|--|
| <b>Display</b>             | Screen Size   | 50"  |
|                            | Active Display Area   | 1095.84 (H) mm × 616.41 (V) mm   |
|                            | Resolution  | 3840 × 2160@60 Hz  |
|                            | Backlight   | LED  |
|                            | Pixel Pitch   | 0.2854 (H) mm × 0.2854 (V) mm  |
|                            | Brightness  | 300 cd/m <sup>2</sup>  |
|                            | Viewing Angle   | 178° (H)/178° (V)  |
|                            | Color Depth   | 8 bit  |
|                            | Contrast Ratio  | 5000:1   |
|                            | Response Time   | 8 ms   |
|                            | Refresh Rate  | 60 Hz  |
|                            | Haze  | 1%   |
|                            | Reliability   | 7 × 24 H   |
|                            | Color Gamut   | 72% NTSC   |
| <b>Interface</b>           | Video & Audio Input   | HDMI 1.4 × 1, HDMI 2.0 × 1, VGA × 1, Audio in × 1  |
|                            | Video & Audio Output  | Speaker (6 Ω 7 W) × 2  |
|                            | Data Transmission Interface   | USB × 1  |
| <b>Power</b>               | Power Supply  | 100 to 240 VAC, 50/60 Hz   |
|                            | Power Consumption   | ≤ 110 W  |
|                            | Standby Consumption   | ≤ 0.5 W  |
| <b>Working Environment</b> | Working Temperature   | 0 °C to 40 °C (32 °F to 104 °F)  |
|                            | Working Humidity  | 20% to 80% RH (Non-Condensing)   |
|                            | Storage Temperature   | -20 °C to 60 °C (-4 °F to 140 °F)  |
|                            | Storage Humidity  | 10% to 90% RH (Non-Condensing)   |
| <b>General</b>             | Casing Material   | Plastic  |
|                            | VESA  | 200 mm × 200 mm (4 × M6-30 mm)   |
|                            | Bezel Width   | 8.24 mm (top/left/right), 23.22 mm (bottom)  |
|                            | Product Dimensions (W × H × D)  | Without stand: 1116.32 mm × 648 mm × 87.2 mm (43.95" × 25.51" × 3.43")<br>With stand: 1116.32 mm × 710.53 mm × 247.88 mm (43.95" × 27.97" × 9.76") |
|                            | Package Dimensions (W × H × D)  | 1420 mm × 800 mm × 160 mm (55.91" × 31.50" × 6.30")  |
|                            | Net Weight  | Without stand: 10.41 kg (22.95 lb.)<br>With stand: 10.65 kg (23.48 lb.)  |
|                            | Gross Weight  | Without stand: 13.5 kg (29.76 lb.)<br>With stand: 13.8 kg (30.42 lb.)  |
|                            | Packing List  | Power cable × 1, remote control × 1, user manual × 1, HDMI cable × 1, base bracket × 1   |
| Remarks                    | If the appearance and parameters in this specification vary from the actual product, the later prevails. You can also consult local sale staff. |  |

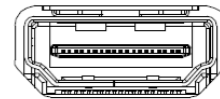
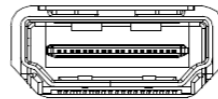
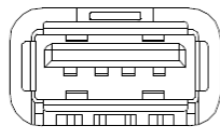
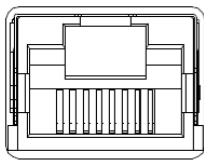
▪ **Physical Interface**

| Interface | Description                       | Interface | Description                  |
|-----------|-----------------------------------|-----------|------------------------------|
| HDMI-IN1  | HDMI 1.4 Input, 3840 × 2160@30 Hz | VGA       | VGA Input, 1920 × 1080@60 Hz |
| HDMI-IN2  | HDMI 2.0 Input, 3840 × 2160@60 Hz | AUDIO-IN  | Audio Input                  |
| USB       | USB 2.0 Input                     |           |                              |



**AUDIO**

**VGA**



**RJ45**

**USB**

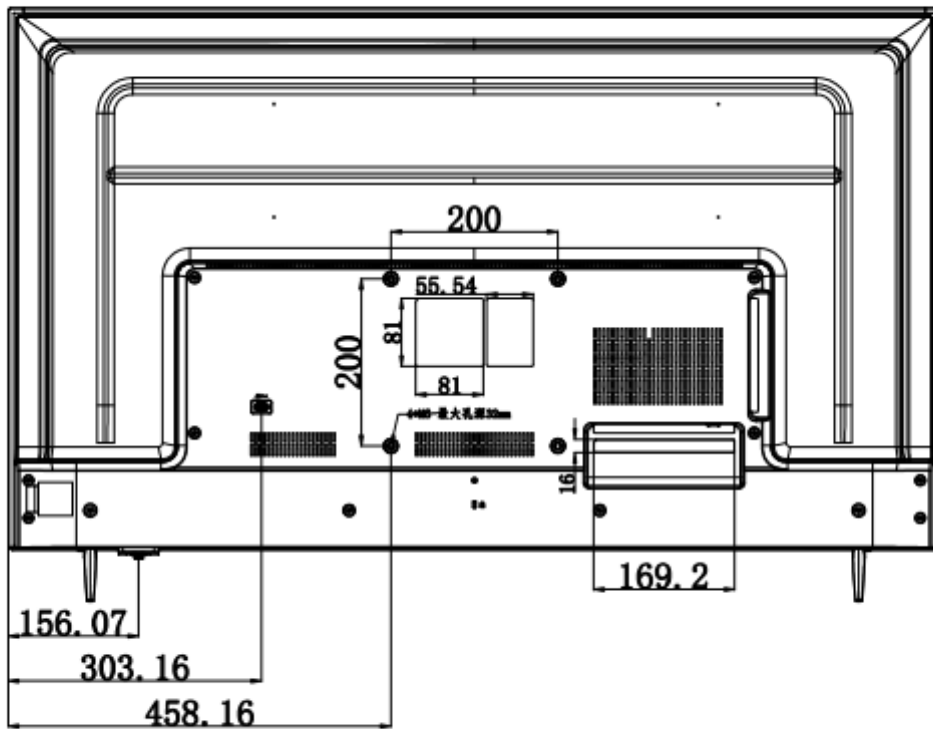
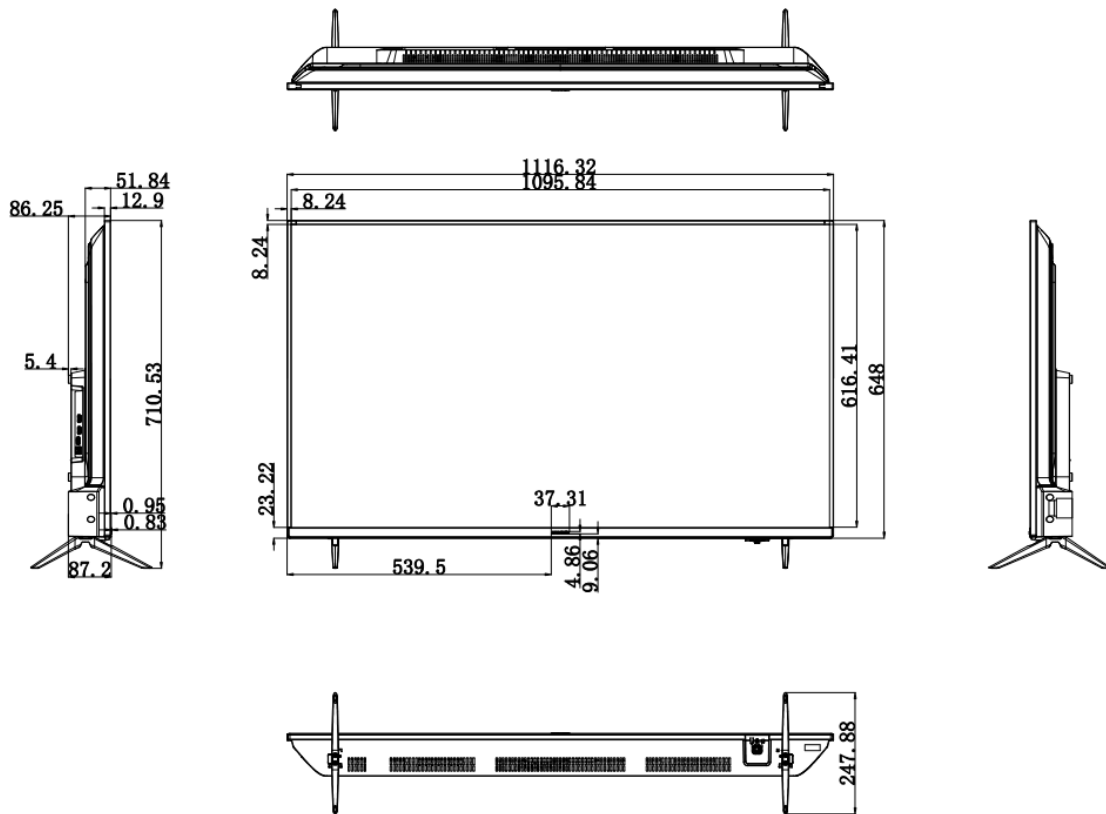
**HDMI 1**

**HDMI 2**

▪ **Available Model**

DS-D5050UC-C

Dimension



▪ **Accessory**

▪ **Optional**

**DS-DM4255W**  
**Wall-mounted**  
**Bracket**



**Headquarters**

No.555 Qianmo Road, Binjiang District,  
Hangzhou 310051, China  
T +86-571-8807-5998  
www.hikvision.com



Follow us on social media to get the latest product and solution information.

