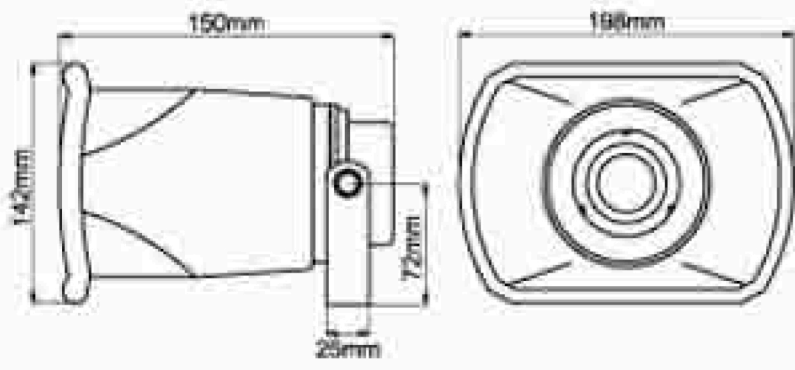
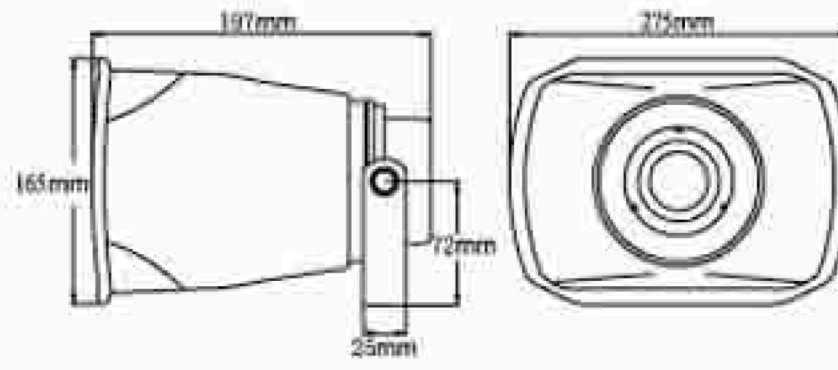


## 15W



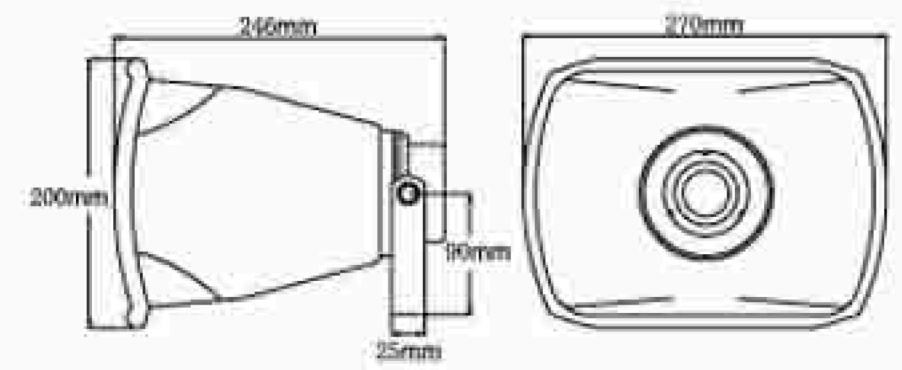
Technical data	H608
Load rating	15 W
Nominal impedance	8 ohms
Frequency range	400Hz-6KHz
SPL(@1W/m)	100 dB
Dimension W×H×L (mm)	198×142×150mm
Material,Colour	Aluminium , grey

## 20W



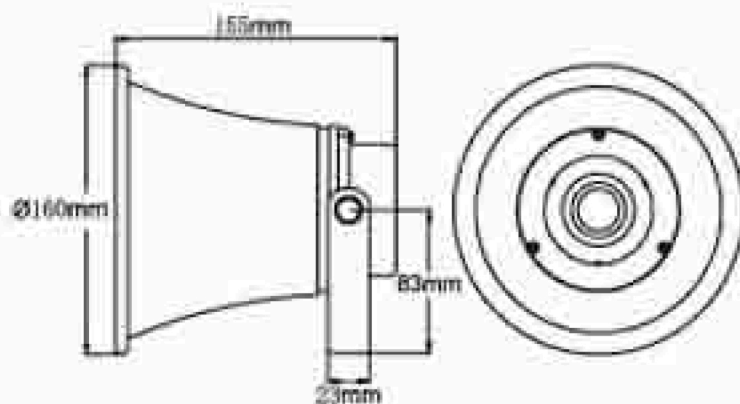
Technical data	H711
Load rating	20 W
Nominal impedance	8 ohms
Frequency range	400Hz-6KHz
SPL(@1W/m)	103 dB
Dimension W×H×L (mm)	275×165×197mm
Material,Colour	Aluminium , grey

## 25W



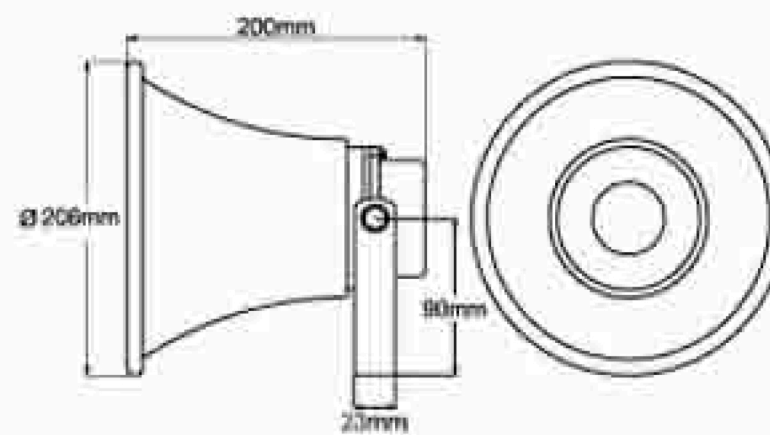
Technical data	H128
Load rating	25 W
Nominal impedance	8 ohms
Frequency range	400Hz-5KHz
SPL(@1W/m)	105 dB
Dimension W×H×L (mm)	270×200×246mm
Material,Colour	Aluminium , grey

## 15W



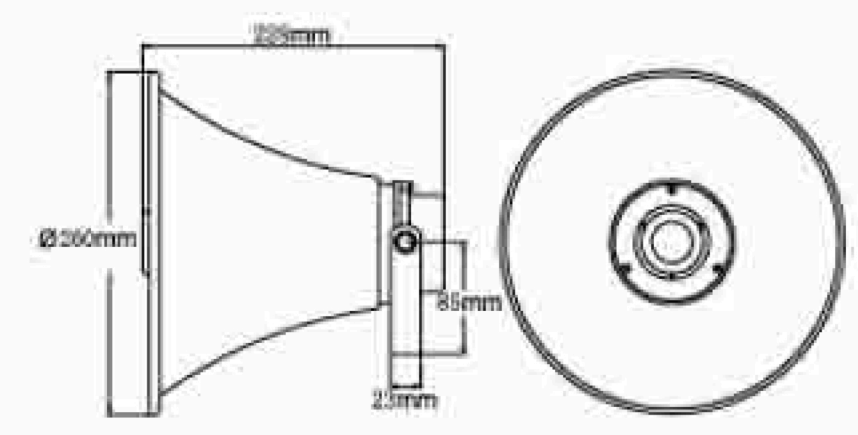
Technical data	H-6K
Load rating	15 W
Nominal impedance	8 ohms
Frequency range	400Hz-6KHz
SPL(@1W/m)	100 dB
Dimension Ø×L (mm)	Ø160×155mm
Material,Colour	Aluminium , grey

## 20W



Technical data	H-8K
Load rating	20 W
Nominal impedance	8 ohms
Frequency range	400Hz-6KHz
SPL(@1W/m)	103 dB
Dimension Ø×L (mm)	Ø206×200mm
Material,Colour	Aluminium , grey

## 25W



Technical data	H-10K
Load rating	25 W
Nominal impedance	8 ohms
Frequency range	400Hz-5KHz
SPL(@1W/m)	105 dB
Dimension Ø×L (mm)	Ø260×228mm
Material,Colour	Aluminium , grey