

1/4" Concealed-Mount Contacts

SM-206Q/W

1" (25mm) Gap, Closed Loop, Wire Leads, White

SM-206Q/BR

1" (25mm) Gap, Closed Loop, Wire Leads, Brown

Features:

- Used for protecting sliding doors and windows where space is limited
- 1/4" (6mm) Recessed mount
- 15" (38cm) Wire leads
- Contact reed switch is SPST, deactivated rhodium on gold underplating for a longer expected life
- Unique glue/epoxy compound protects reed switch
- For closed loop circuits
- 1" (25mm) Gap
- Lifetime limited warranty



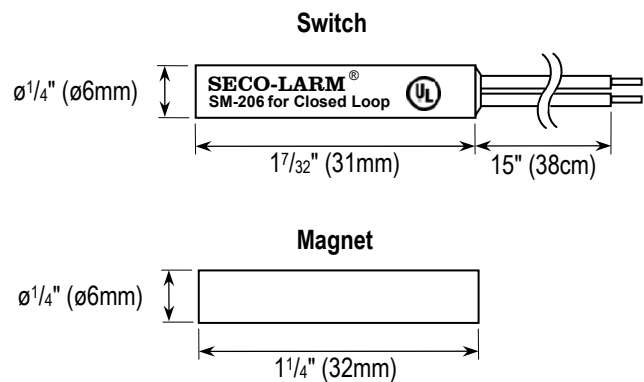
SM-206Q/BR Shown



Specifications:

Model		SM-206Q/W	SM-206Q/BR
Loop type		Closed loop	
Electrical configuration		N.O. (SPST)	
Operation gap		1" (25mm)	
Connectors		15" (38cm) Leads	
Color		White	Brown
Material	Case	High-impact ABS plastic / epoxy compound	
	Contact	Deactivated rhodium on gold underplating	
Contact rating		0.1A@100VDC (max.)	
		1.0A@10VDC (max.)	
		10W (max.)	
Operating temperature		-15°~160° F (-25°~70° C)	
Switch cycles		50 Million (0.1mA@5VDC)	
Switch dimensions		17/32"xø1/4" (31xø6 mm)	
Magnet dimensions		1 1/4"xø1/4" (32xø6 mm)	
Magnet		Alnico 5	

Dimensions:



SECO-LARM® U.S.A., Inc.

16842 Millikan Avenue, Irvine, CA 92606

Phone: (949) 261-2999 | (800) 662-0800 Fax: (949) 261-7326

Website: www.seco-larm.com Email: sales@seco-larm.com



Copyright © 2018 SECO-LARM U.S.A., Inc. All rights reserved. All trademarks are the property of SECO-LARM U.S.A., Inc. or their respective owners. The SECO-LARM policy is one of continual development. For that reason, SECO-LARM reserves the right to change prices and specifications without notice. SECO-LARM is not responsible for misprints.

SECO-LARM® ENFORCER® CRIMEBUSTER® CBA® SLI®

PL_SM-206Q_180907.docx